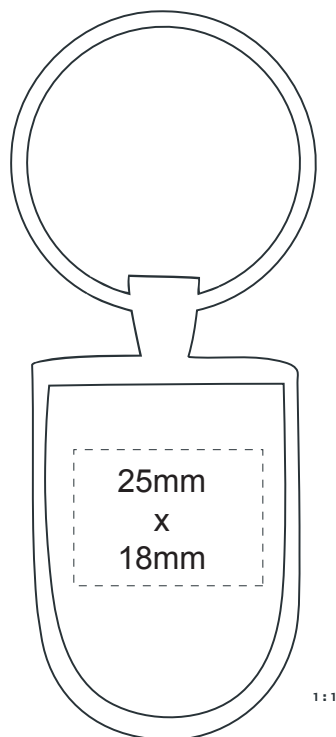


KR143 KEYRING



DECORATION AREA:

PRODUCT DIMENSIONS:

PRINT: 25 x 18MM

41 x 29 x 3MM

LASER: 25MM x 18MM